

NJP TABLE

Project name:

Project type:

Notes:



Design

nendo

Product description

Desk lamp with two degrees of freedom in each hinge/joint
 Desk lamp can be ordered with, base, clamp or pin
 Pin is 10mm and has counter nut to tighten it.
 Clamp can be used on table tops up to 45mm in thickness / 1,8"
 Desk lamp dimension and degrees of freedom allowing it to provide deliver illumination in accordance with EN 12464
 Light source and diffuser positioned recessed into luminaire head to avoid unwanted glare in screens
 Luminaire head should have a minimum of two degrees of freedom
 Mechanical moving parts must be able to be tightened using simple ready available tools such as Allen keys, screwdriver.
 Luminaire can be ordered in black or white, powder coated
 Easy to clean

Variant options

Color	Mounting	Light source	Lumen	Voltage frequency
<input checked="" type="radio"/> Black <input type="radio"/> Dark aluminum grey <input type="radio"/> Light aluminum grey <input type="radio"/> White	Base Clamp Pin ø10	LED 2700K LED 3000K	529 550	120V

Light description

Light distribution from luminaire head is a combination of direct and reflected light. Ensuring soft edges on shadow.

Lumen package delivers illumination in accordance with EN 12264.

Luminaire illuminates itself

Asymmetry light distribution achieved by angle of luminaire head

LED high efficient COB

LED is replaceable

A minimum of 50.000h life on driver and LED.

LED CRI >90

LED CCC of 2700K and 3000K offered

Head functions as heat sink ensuring good heat management

LED dimmable (step dimming)

Programmable timer function. 4h, 8h and Off setting

Material

Finish is without texture for easy cleaning.

Luminaire constructed in aluminium for durability and heat management. Base constructed in steel for higher mass properties

Weight

Min: 11.305 lbs Max: 3 lbs

Voltage

120V

Mounting

Simple installation

Power supply can be separated from cable for conduit routing.

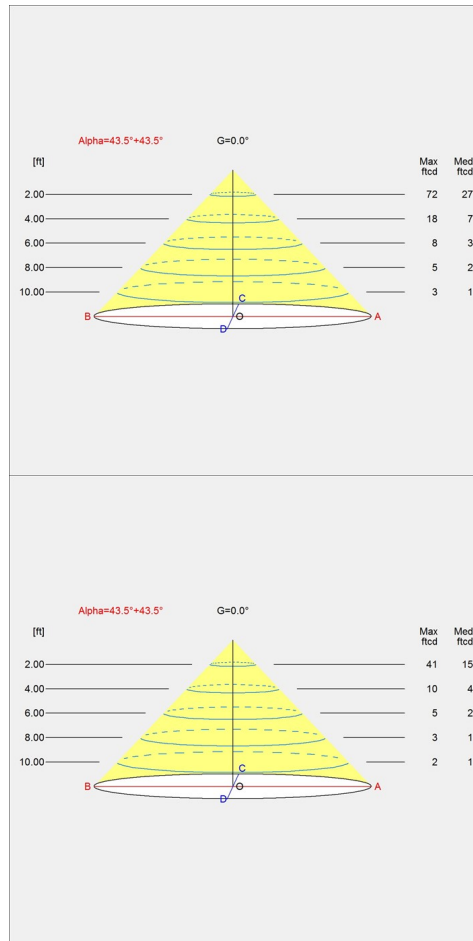
Finish

Black, Dark aluminum grey, Light aluminum grey, White

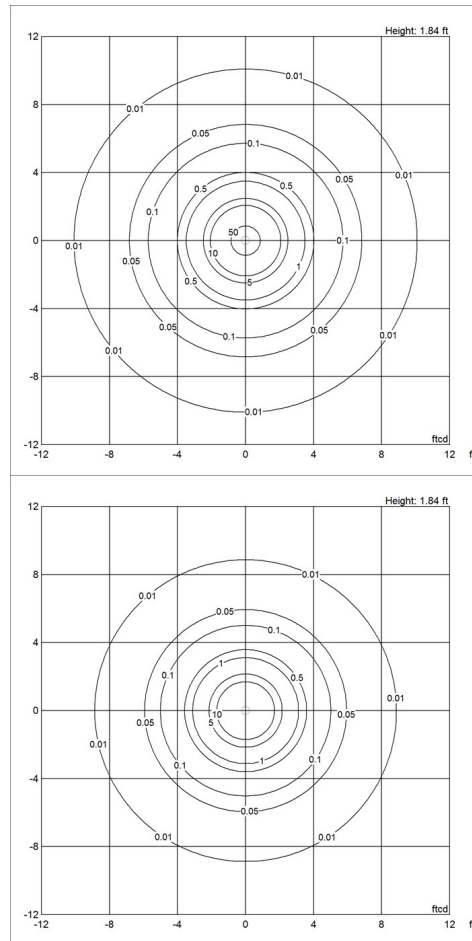
Light distribution diagrams

For the full data set on all variants, see louispoulsen.com.

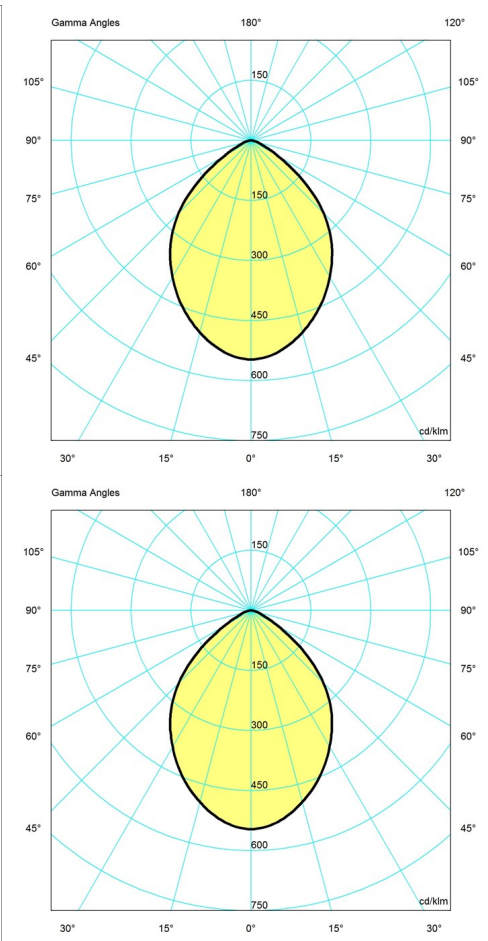
Cartesian



Isolux



Polar



Variant options

Color	Mounting	Light source	Lumen	Voltage frequency	Variant number
<input type="radio"/> White	Base	LED 3000K	550	120V	10000133067
<input checked="" type="radio"/> Black	Base	LED 2700K	529	120V	10000133058
<input checked="" type="radio"/> Black	Clamp	LED 2700K	529	120V	10000133059
<input checked="" type="radio"/> Black	Pin ø10	LED 2700K	529	120V	10000133060
<input type="radio"/> White	Base	LED 2700K	529	120V	10000133061
<input type="radio"/> White	Clamp	LED 2700K	529	120V	10000133062
<input type="radio"/> White	Pin ø10	LED 2700K	529	120V	10000133063
<input checked="" type="radio"/> Black	Base	LED 3000K	550	120V	10000133064
<input checked="" type="radio"/> Black	Clamp	LED 3000K	550	120V	10000133065
<input checked="" type="radio"/> Black	Pin ø10	LED 3000K	550	120V	10000133066
<input type="radio"/> White	Clamp	LED 3000K	550	120V	10000133068
<input type="radio"/> White	Pin ø10	LED 3000K	550	120V	10000133069
<input checked="" type="radio"/> Dark aluminum grey	Pin ø10	LED 3000K	550	120V	10000138377
<input checked="" type="radio"/> Dark aluminum grey	Base	LED 3000K	550	120V	10000138375
<input checked="" type="radio"/> Dark aluminum grey	Clamp	LED 3000K	550	120V	10000138376
<input checked="" type="radio"/> Light aluminum grey	Pin ø10	LED 3000K	550	120V	10000138374
<input checked="" type="radio"/> Light aluminum grey	Base	LED 3000K	550	120V	10000138372
<input checked="" type="radio"/> Light aluminum grey	Clamp	LED 3000K	550	120V	10000138373
<input checked="" type="radio"/> Light aluminum grey	Base	LED 2700K	529	120V	10000142404
<input checked="" type="radio"/> Light aluminum grey	Clamp	LED 2700K	529	120V	10000142405
<input checked="" type="radio"/> Light aluminum grey	Pin ø10	LED 2700K	529	120V	10000142406